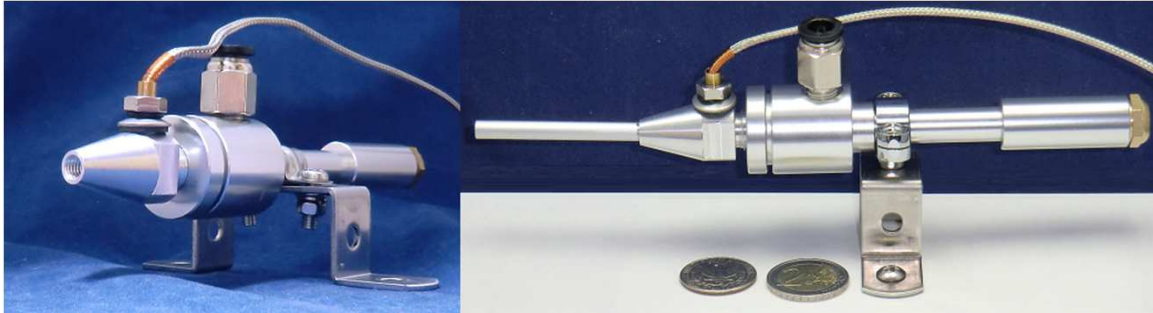


Air Blow Cooler

ABC-28 series



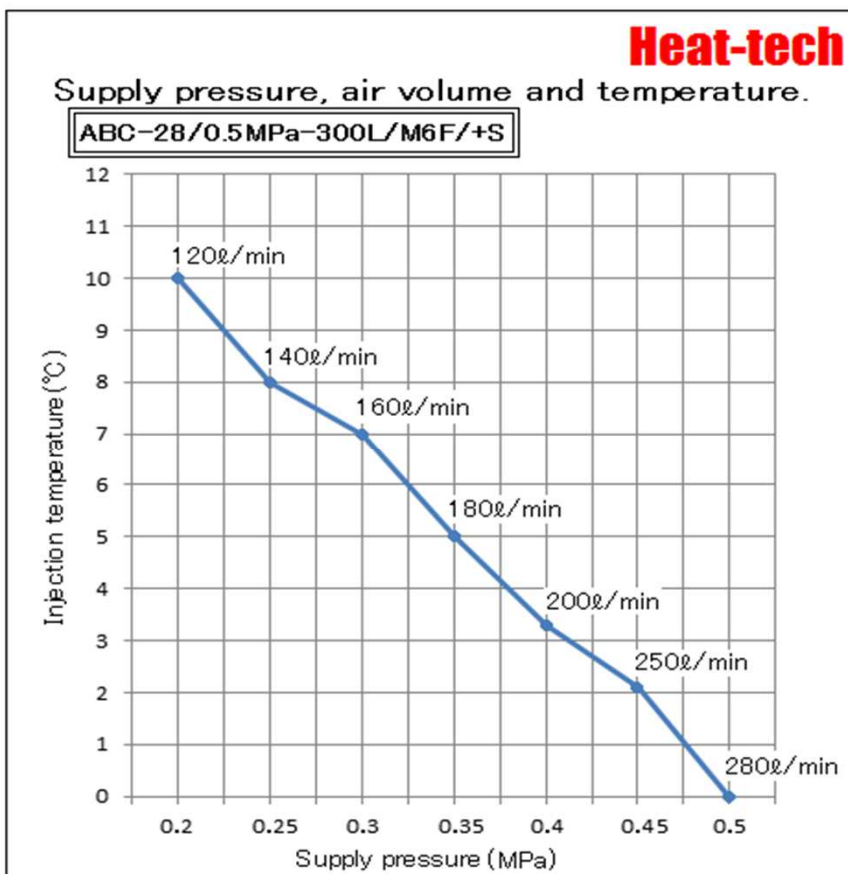
Heat-tech



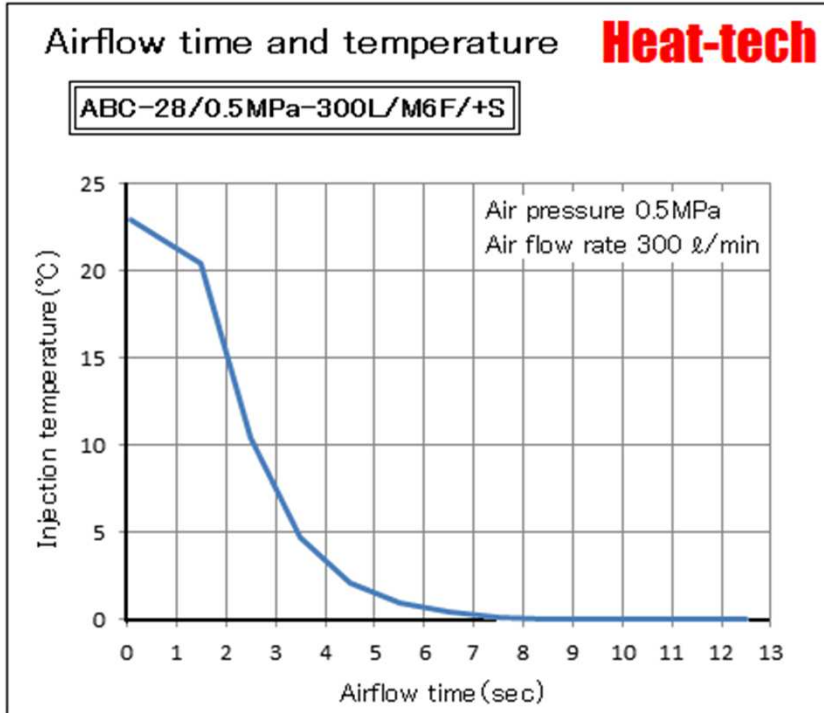
1. Features of the cold air cooler ABC-28 series

- ◆ Cold wind injection
Although the outside diameter is small, it produces cold air at 0 °C.
- ◆ Eco-friendly products
The Air Blow Cooler is eco-friendly products that do not use refrigerant.
- ◆ Temperature control
The cold air cooler uses a built-in thermocouple and controller for precise temperature control.
- ◆ Non-contact cooling
The Air Blow Cooler uses air for non-contact cooling.
- ◆ Flexible
Since the internal thread of M6 is cut at the tip, you can attach metal fittings of various lengths.
- ◆ Easy installation
The Air Blow Cooler has only compressed air piping.
A low temperature airflow is generated using the compression energy of compressed air.
- ◆ Heating / cooling control
Heating and cooling can be controlled in combination with the Air Blow Heater.

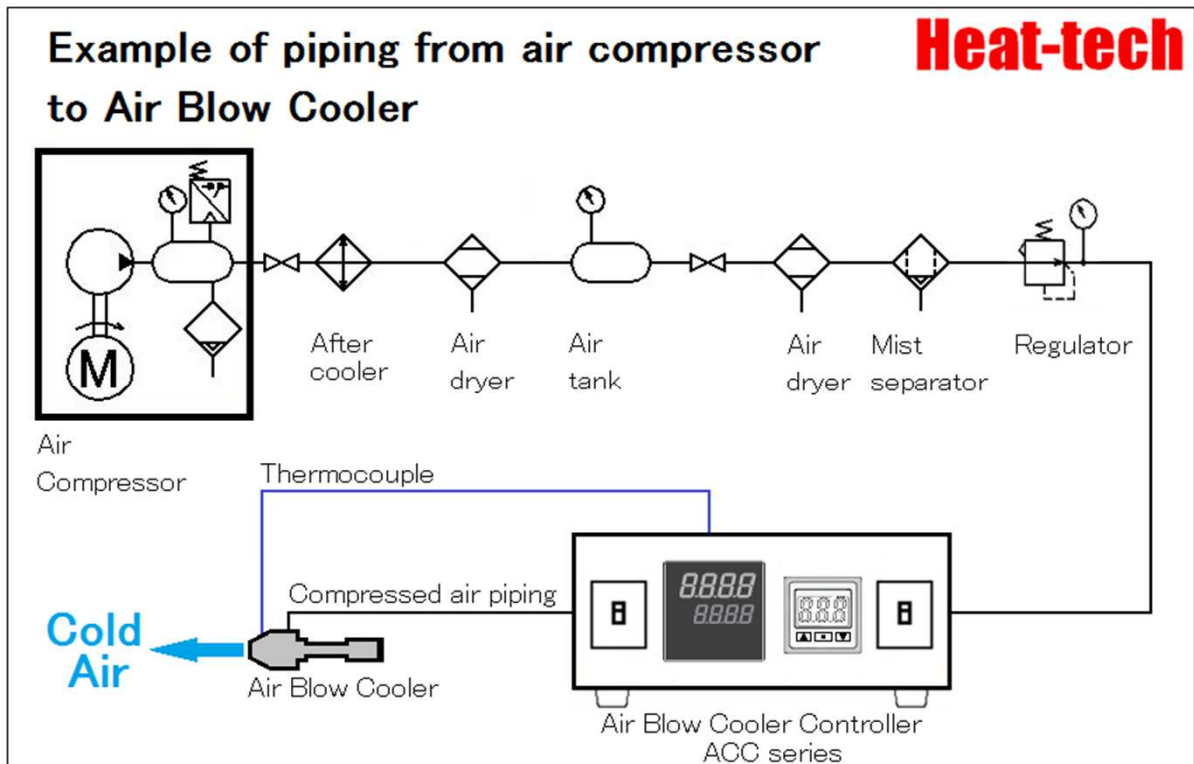
2. Supply pressure, air volume and temperature



3. Airflow time and temperature



4. Automatic control by Air Blow Cooler Controller ACC



5. ABC structure and specifications



Air blow cooler ABC-28 series

D/#	Injection shape	Air pressure	Air flow rate
ABC-28/0.5MPa-300L/M6F/+S	M6	0.5MPa	300L/min
ABC-28/0.5MPa-300L/φ 6-L50/+S	φ 6-L50		
ABC-28/0.5MPa-300L/φ 6-L100/+S	φ 6-L100		
ABC-28/0.5MPa-300L/φ 6-L Designated length/+S	φ 6-L Designated length		
ABC-28/0.5MPa-300L/φ 5-SB/+S	φ 5-Side blow type		
ABC-MB-A11	Mounting bracket		
ABC-MB-Ω 11	Mounting bracket		



Air Blow Cooler Controller ACC series

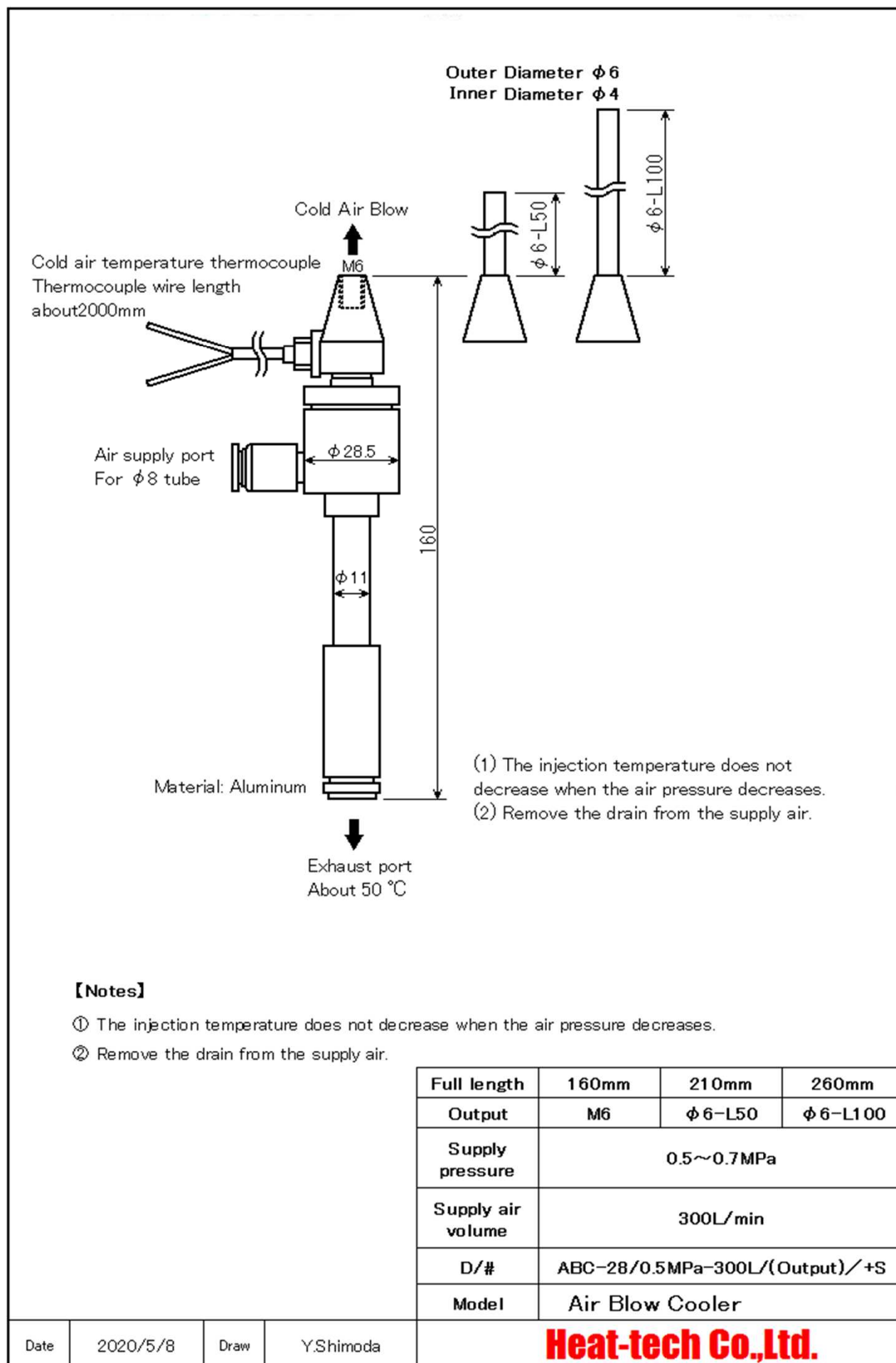
D/#	Features
ACC-0.7MPa-300L	Temperature controller surface mounted
ACCP-0.7MPa-300L	Temperature controller and pressure gauge surface mounted
ACCPFM-0.7MPa-200L	Temperature controller, pressure gauge and flow meter surface mounted
ACCPFM-0.7MPa-300L	Temperature controller, pressure gauge and flow meter surface mounted

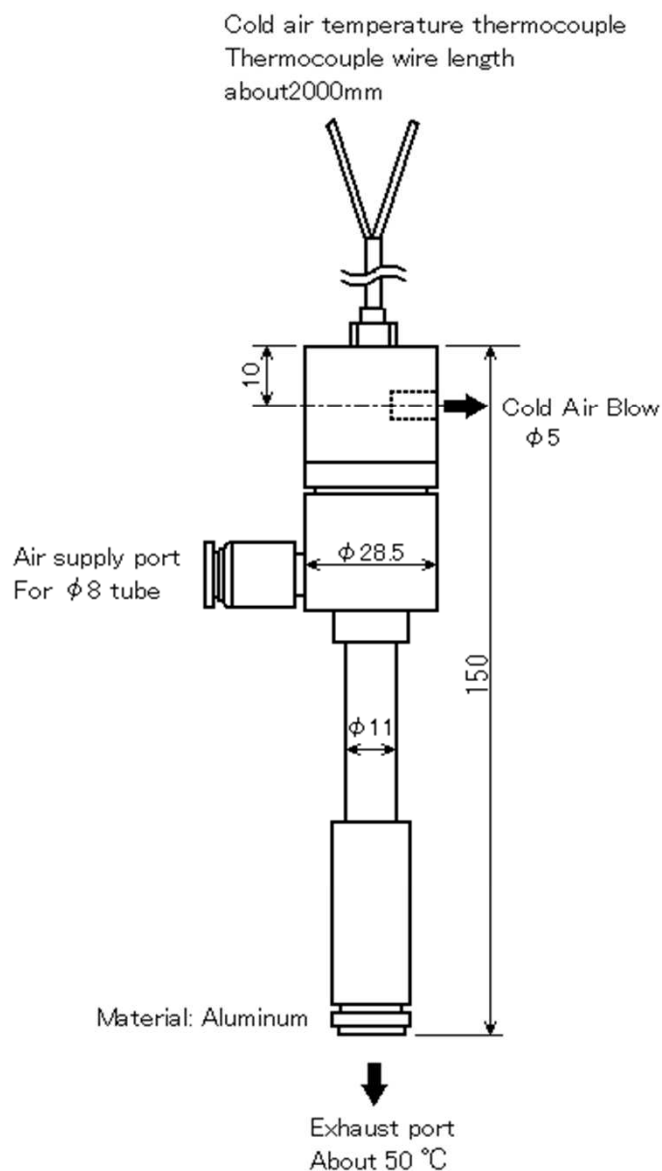
6. Notes



- ◆ The heat exhaust port will be about 50 ° C. Please be careful not to touch it with your hands.
- ◆ If the supply pressure is insufficient, the temperature will approach room temperature.
- ◆ Supply clean, dry air using a mist separator.
- ◆ Keep the object to be cooled and the cold air jet as close as possible.
- ◆ If the cooling distance is long, the surrounding air will be trapped and the cooling effect will decrease.

7. ABC outline drawing





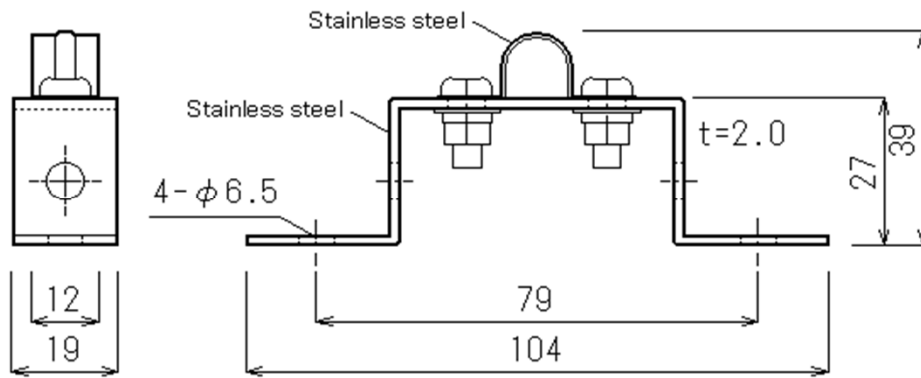
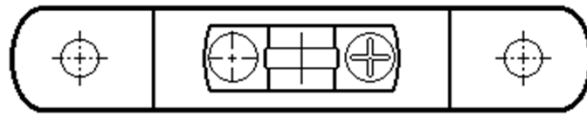
【Notes】

- ① The injection temperature does not decrease when the air pressure decreases.
- ② Remove the drain from the supply air.

Full length	150mm
Output	$\phi 5$
Supply pressure	0.5~0.7MPa
Supply air volume	300L/min
D/#	ABC-28/0.5MPa-300L/ $\phi 5$ -SB/+S
Model	Air Blow Cooler Side blow type

Date 2020/9/24 Draw Y.Shimoda

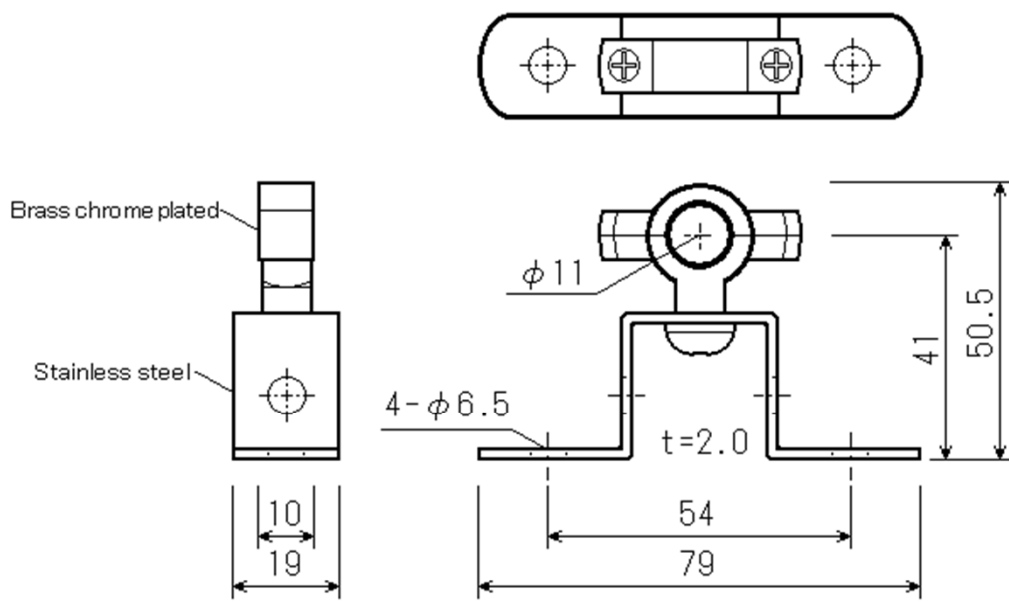
Heat-tech Co.,Ltd.



D/#	ABC-MB-A11
Model	Air Blow Cooler mounting bracket

Date	2020/9/24	Draw	Y.Shimoda
------	-----------	------	-----------

Heat-tech Co.,Ltd.



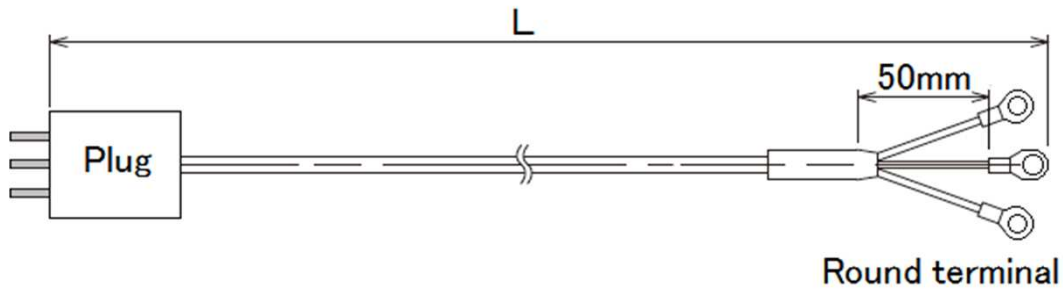
D/#	ABC-MB- $\Omega 11$
Model	Air Blow Cooler mounting bracket

Date	2020/5/8	Draw	Y.Shimoda
------	----------	------	-----------

Heat-tech Co.,Ltd.

8. Power Cable for Controller

Manufacture the specification of the power cable.



Type A	Type B	Type C	Type D	Type E	Type F
Type G	Type H	Type I	Type J	Type L	

VOLT	NEMA	15 AMPERE		20 AMPERE		30 AMPERE	
		Receptacle	Plug	Receptacle	Plug	Receptacle	Plug
125 V	L1	 L1-15R	 L1-15P				
250 V	L2			 L2-20R	 L2-20P		
125 V	L5	 L5-15R	 L5-15P	 L5-20R	 L5-20P	 L5-30R	 L5-30P
250 V	L6	 L6-15R	 L6-15P	 L6-20R	 L6-20P	 L6-30R	 L6-30P
277V, A.C.	L7	 L7-15R	 L7-15P	 L7-20R	 L7-20P	 L7-30R	 L7-30P
480 V	L8			 L8-20R	 L8-20P	 L8-30R	 L8-30P
600 V	L9			 L9-20R	 L9-20P	 L9-30R	 L9-30P

When the plug or the connector which the upper figure does not have are necessary, we will manufacture as much as possible.

<< Quotation model specification method >>

(Heater controller model) - (Plug shape) - (Cable length)

<< Quotation example >>

ACCP-TypeA-5m

No-touch High Temperatures Hating

Heat-tech

HEAT-TECH CO., LTD.

<http://www.heater.heat-tech.biz/>

International Medical Device Alliance IMDA

1-6-5 Minatojima Minamimachi Chuoku Kobe 650-0047 Japan

TEL 81-78945-7894 FAX 81-78945-7895

E-mail info@heat-tech.biz