

Air Blow Heater Laboratory Kit

220v-3kw-29PH

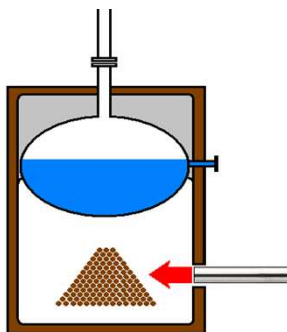
(External air supply Type)

Easy Temperature Control



◆ Feature ◆

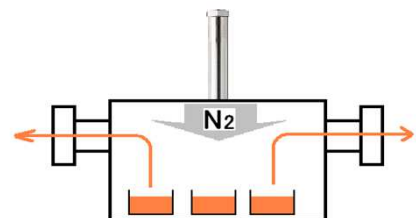
- 1). Since it is a kit, the Air Blow Heater can be used easily.
- 2). Output a moment 900 °C high temperature hot air.
- 3). Equipped with an air regulator. Adjust the air pressure while Air Blow Heating test.
- 4). Equipped with a thermocouple to the hot air blow section.
- 5). Temperature can be managed easily.
- 6). Various attachments can be mounted to the screw portion of the M32F.
- 7). Air is supplied, and it heats and only blows off!
- 8). No flame safe and clean! No flame, it can easy clearly photo shoot!



Ignition source of biomass boilers

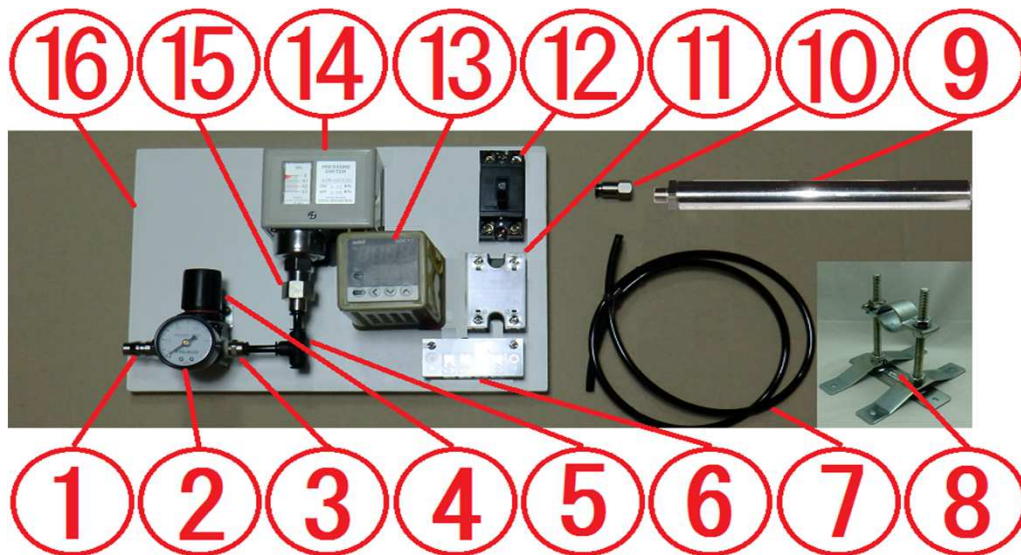


Molded finish of bumper



Nitrogen gas concentrator equipment

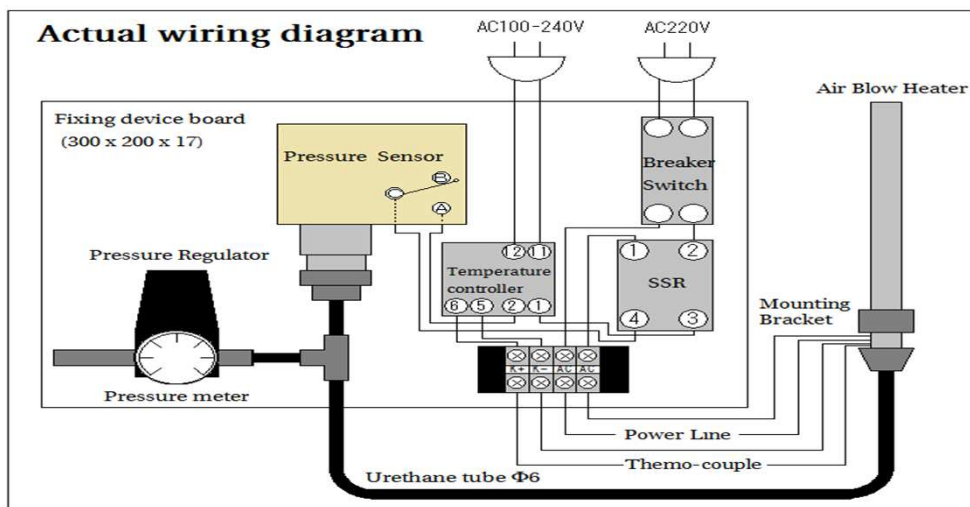
Heat-tech

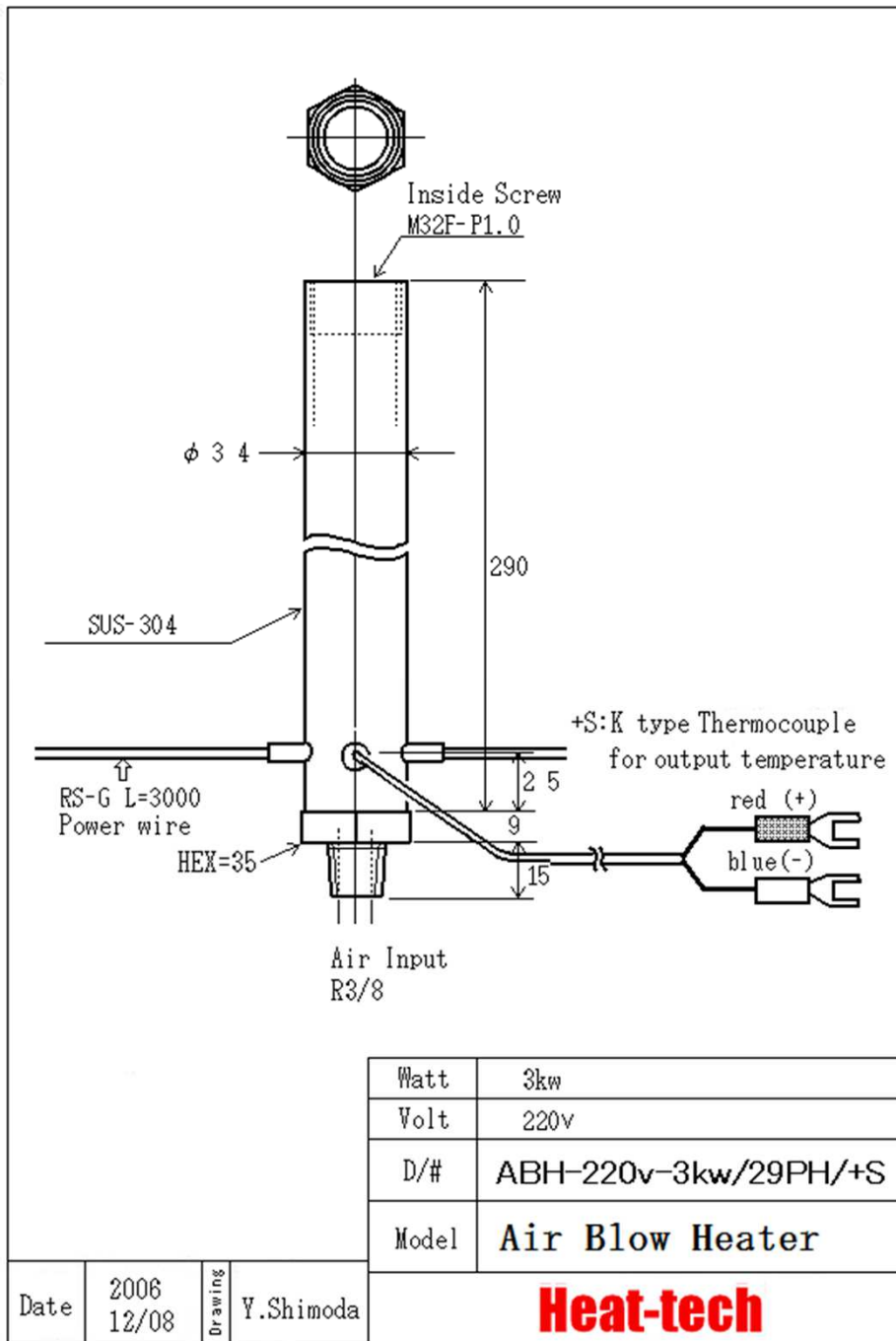


(Assembly example ※ Laboratory Kit is delivered as individual components.)

【 Laboratory Kit Packing List 】

- ① One-touch coupler for compressed air supply
- ② Pressure meter
- ③ One-touch connector for regulator $\Phi 8$
- ④ Pressure Regulator
- ⑤ T-shaped fitting $\Phi 8$
- ⑥ Terminal block for four-terminal
- ⑦ $\Phi 8$ Urethane tube 3m
- ⑧ Stand for the Air Blow Heater
- ⑨ Air Blow Heater ABH-220v-3kw/29PH/M32F / + S (with built-in thermocouple code 3m)
- ⑩ One-touch connector for the Air Blow Heater
- ⑪ SSR (AC100-240v)
- ⑫ Breaker switch (AC220V)
- ⑬ Temperature controller (AC100-240v)
- ⑭ Confirmation pressure sensor for air supply (AC100-240v)
- ⑮ One-touch connector for pressure sensor $\Phi 8$
- ⑯ Fixing device board (300 x 200 x 17)





Types of gas	ABH	Notes
Air, Oxygen *1	◎	Contain neither oil mist nor water.
Nitrogen, Argon *2	○	All inert gases can be used.
Hydrogen	△	Ignites when becoming over 600°C mixed air.
Green Gas	△	Green Gas has reduction.
Steam *3	X	ABH is impossible, DGH can be use.
Town Gas, LPG	X	Carbon cling to heat element.

*1 Heating wires are used in Air Blow Heater has the most durable in the oxidizing atmosphere.

*2 ABH type is used for argon and nitrogen, compared to the air life tend to be shorter.

Heat-tech Co., Ltd.

<https://heater.heat-tech.biz/>

International Medical Device Alliance IMDA

1-6-5 Minatojima Minamimachi Chuoku Kobe 650-0047 Japan

TEL 81-78945-7894 FAX 81-78945-7895

E-mail info@heat-tech.biz