

For halogen heater

Pulse input heater controller

HCP series



Heat-tech

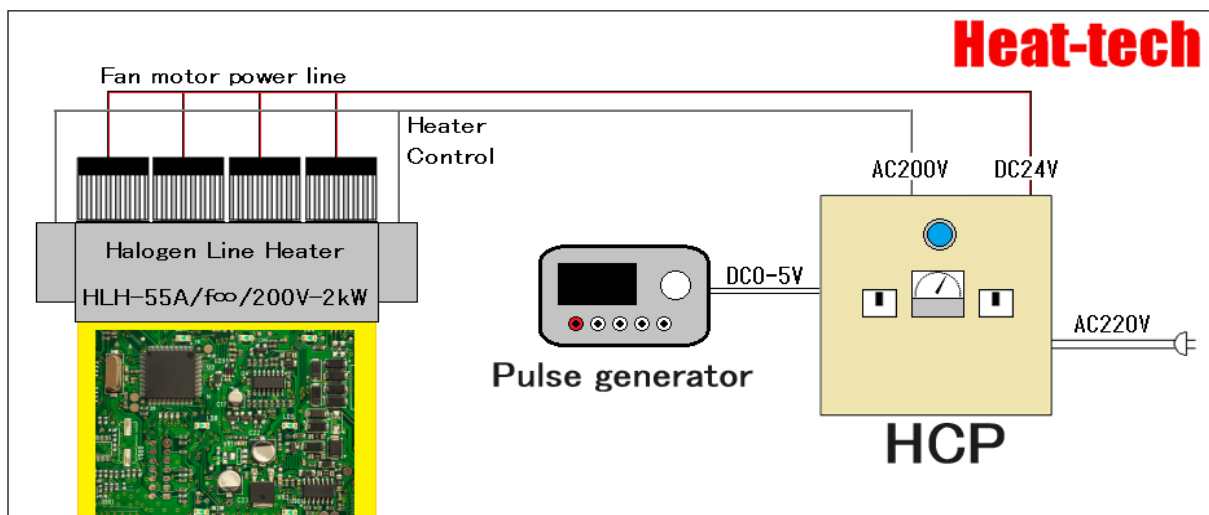
Ver1.1

For halogen heater Pulse input heater controller HCP series



◆ Feature ◆

- 1 It can flash the halogen heater with a 0–5V pulse.
Lock-in infrared exothermic analysis – can be used for lock-in thermography methods.
- 2 Sine curve irradiation of a halogen heater can be performed with a voltage of 0–5V.



By changing the applied frequency, it is possible to limit the region of the heat generating location. By changing the applied voltage, the heat generation state can also be changed. With low cycle application, there is a large temperature change and a large area is visible. With high cycle applications, it can be limited to small areas.

[Caution] Pulse flashing heating will shorten the life of the halogen heater.

Model list

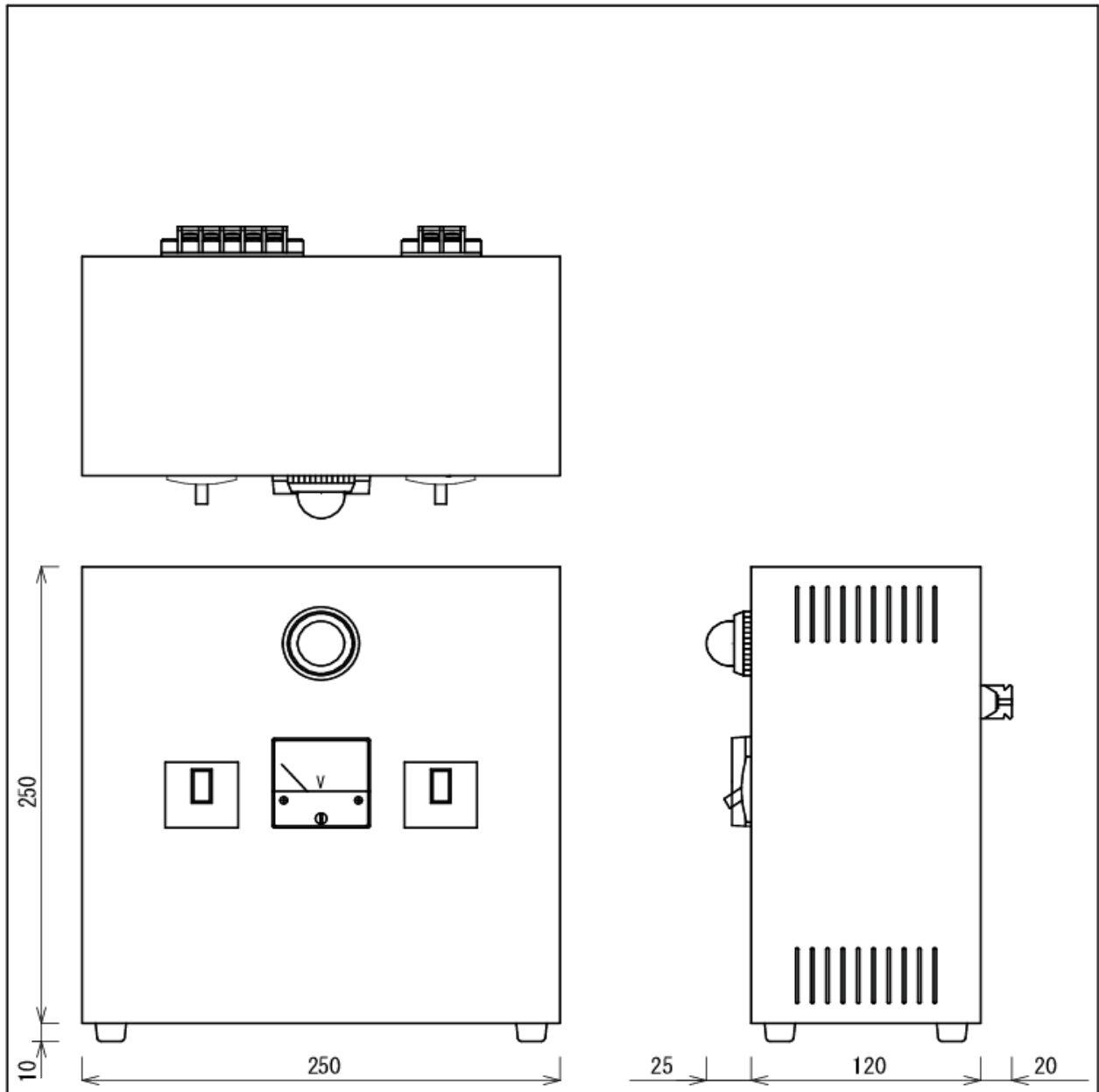
D/#	Input Power	Output	Power supply for cooling fan
HCP-AC100-240V/DC12V-300W	AC100~240V	DC12V-300W	With-out
HCP-AC100-240V/DC24V-300W	AC100~240V	DC24V-300W	With-out
HCP-AC100-240V/DC36V-600W	AC100~240V	DC36V-600W	With-out
HCP-AC220V//AC100V-2.5KW	AC220V	AC100V-2.5KW	With-out
HCP-AC220V//AC200V-5KW	AC220V	AC200V-5KW	With-out
HCPD-AC100-200V/DC12V-300W	AC100~240V	DC12V-300W	DC24V-0.5A
HCPD-AC100-200V/DC24V-300W	AC100~240V	DC24V-300W	DC24V-0.5A
HCPD-AC100-200V/DC36V-600W	AC100~240V	DC36V-600W	DC24V-0.5A
HCPD-AC220V//AC100V-2.5KW	AC220V	AC100V-2.5KW	DC24V-0.5A
HCPD-AC220V//AC200V-5KW	AC220V	AC200V-5KW	DC24V-0.5A

Additional specifications

D/#	Item and Description
FPR	Front Protection Rail
RPR	Rear Protection Rail
Power Cable	Manufacture the specification of the power cable.

For high-performance control, Please select the high-end model "High-performance heater controller HHC2".

[Note] When the to add a function, there is that the external dimensions changes.



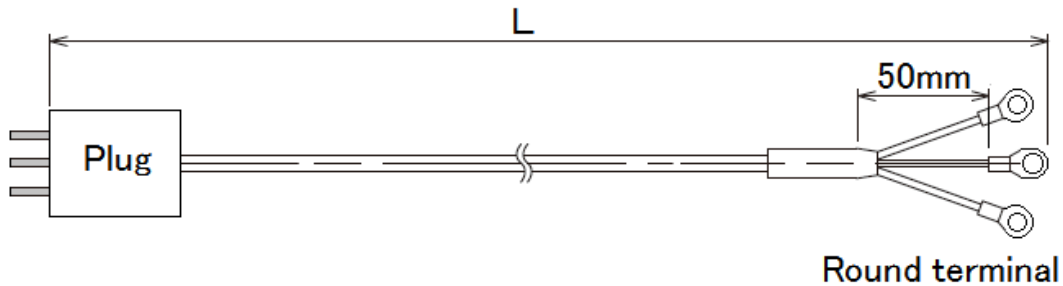
Basic	HCP				HCPD					
Power supply for cooling fan	With-out				DC24V-0.5A					
Input	AC100V-240V		AC220V		AC100V-240V		AC220V			
Output	DC12V	DC24V	DC36V	AC100V	AC200V	DC12V	DC24V	DC36V	AC100V	AC200V
Power	300W	600W	2.5kW	5kW	300W	600W	2.5kW	5kW		
Control signal	DC0-5V									
D/#	HCP-(Input)/(Output)/Option									
Model	Pulse input heater controller for halogen heaters									

Data	Drwing Number
2024. 03. 04	HCP-E1

Heat-tech Co.,Ltd.

Power Cable for Heater Controller

Manufacture the specification of the power cable.



Type A	Type B	Type C	Type D	Type E	Type F
Type G	Type H	Type I	Type J	Type L	

VOLT	NEMA	15 AMPERE		20 AMPERE		30 AMPERE	
		Receptacle	Plug	Receptacle	Plug	Receptacle	Plug
125 V	L1						
		L1-15R	L1-15P				
250 V	L2						
				L2-20R	L2-20P		
125 V	L5						
		L5-15R	L5-15P	L5-20R	L5-20P	L5-30R	L5-30P
250 V	L6						
		L6-15R	L6-15P	L6-20R	L6-20P	L6-30R	L6-30P
277V, A.C.	L7						
		L7-15R	L7-15P	L7-20R	L7-20P	L7-30R	L7-30P
480 V	L8						
				L8-20R	L8-20P	L8-30R	L8-30P
600 V	L9						
				L9-20R	L9-20P	L9-30R	L9-30P

When the plug or the connector which the upper figure does not have are necessary, we will manufacture as much as possible.

<< Quotation model specification method >>

(Heater controller model) - (Plug shape) - (Cable length)

<< Quotation example >>

HCP-AC220/220V-5KW-TypeA-5m

No-touch High Temperatures Hating

Heat-tech

Heat-tech Co., Ltd.

<https://heater.heat-tech.biz/>

International Medical Device Alliance IMDA

1-6-5 Minatojima Minamimachi Chuoku Kobe 650-0047 Japan

TEL 81-78945-7894 FAX 81-78945-7895

E-mail info@heat-tech.biz