

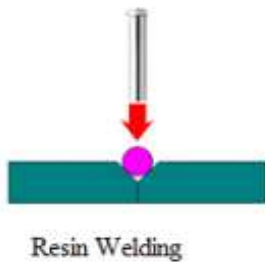
Air Blow Heater Laboratory Kit LKABH-220v-350w- / 10PS + HCAFM

**High-temperature heating gas
Easy Temperature Control**

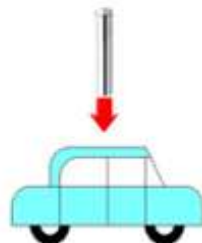


◆ Feature ◆

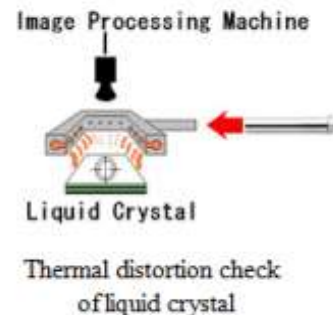
- 1). Since it is a kit, the Air Blow Heater can be used easily.
- 2). Output a moment 900 °C high temperature hot air.
- 3). Air is supplied, and it heats and only blows off!
- 4). Equipped with a thermocouple to the hot air blow section. Temperature can be managed easily.
- 5). Various attachments can be mounted to the screw portion of the M12F.
- 6). No flame safe and clean! No flame, it can easy clearly photo shoot!



Resin Welding

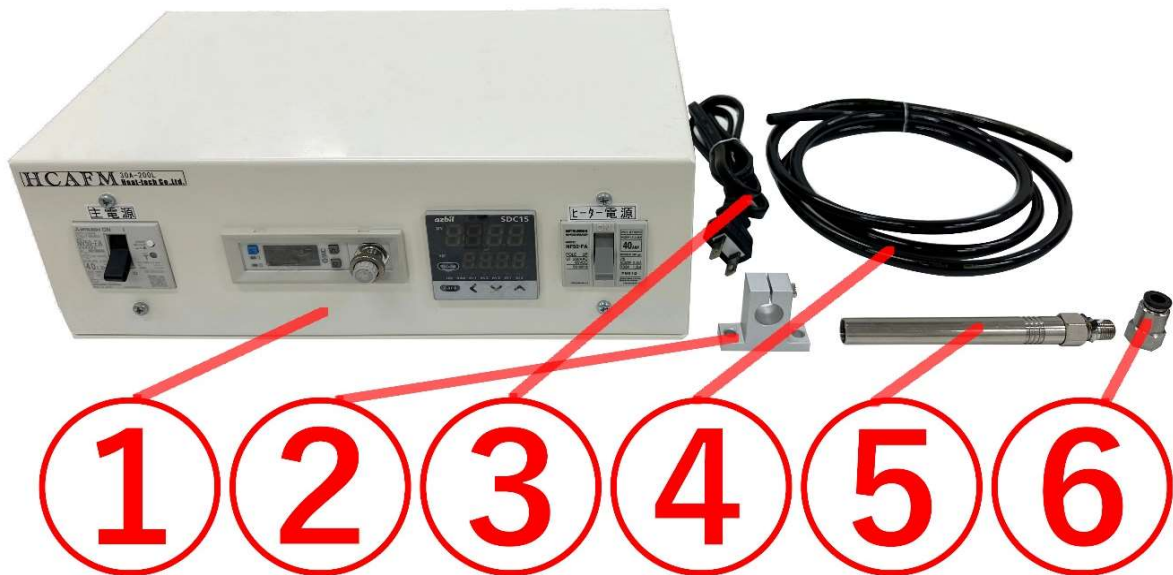


Surface Analysis of Materials
with heat cycle



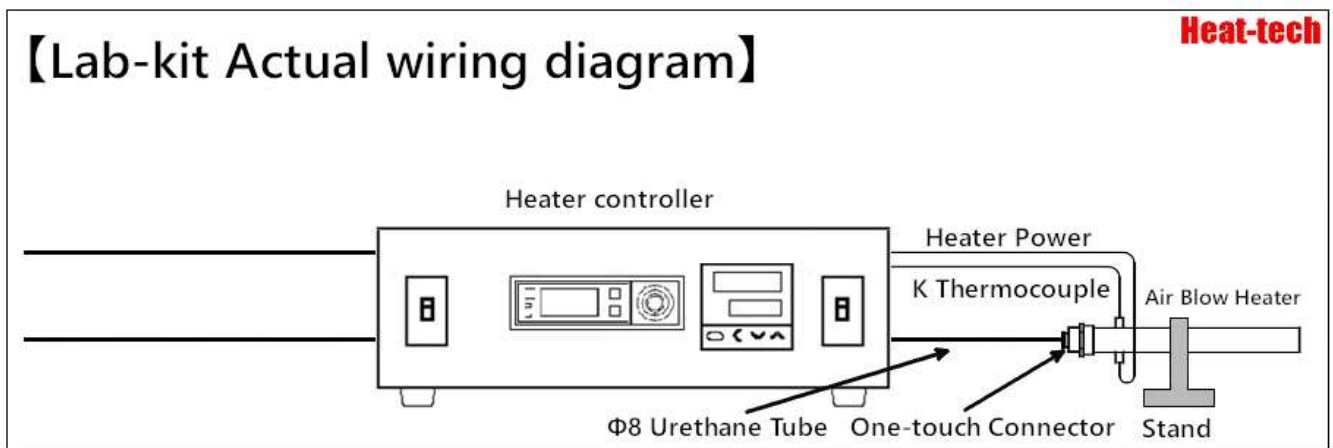
Thermal distortion check
of liquid crystal

Heat-tech



【 Laboratory Kit Packing List 】

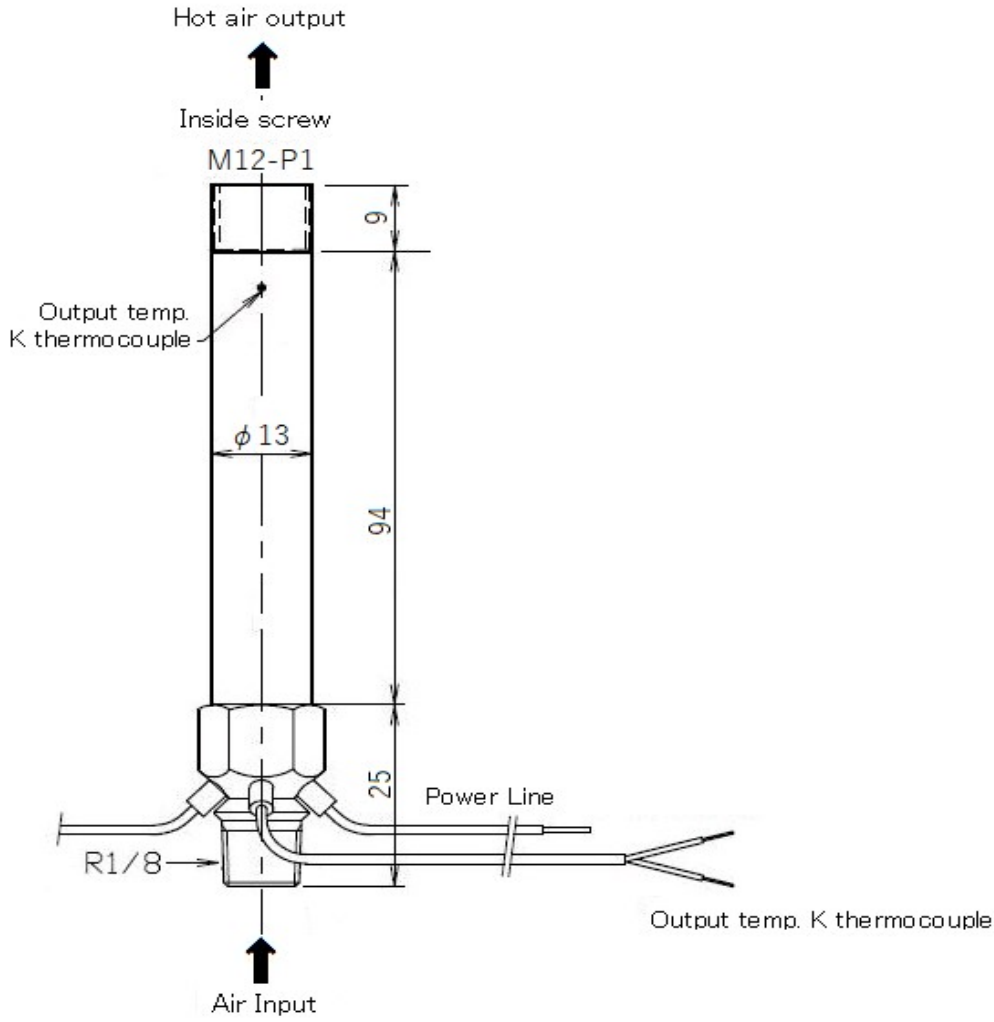
- ① Heater Controller HCAFM
- ② Stand for the Air Blow Heater
- ③ Power cable for heater controller
- ④ Φ8 Urethane tube 1m
- ⑤ Air Blow Heater ABH-220v-350w/10PS/M12F/+S(with built-in thermocouple code 1m)
- ⑥ One-touch connector for the Air Blow Heater



Types of gas	ABH	Notes
Air, Oxygen *1	⊙	Contain neither oil mist nor water.
Nitrogen, Argon *2	○	All inert gases can be used.
Hydrogen	△	Ignites when becoming over 600°C mixed air.
Green Gas	△	Green Gas has reduction.
Steam *3	X	ABH is impossible, DGH can be use.
Town Gas, LPG	X	Carbon cling to heat element.

*1 Heating wires are used in Air Blow Heater has the most durable in the oxidizing atmosphere.

*2 ABH type is used for argon and nitrogen, compared to the air life tend to be shorter.



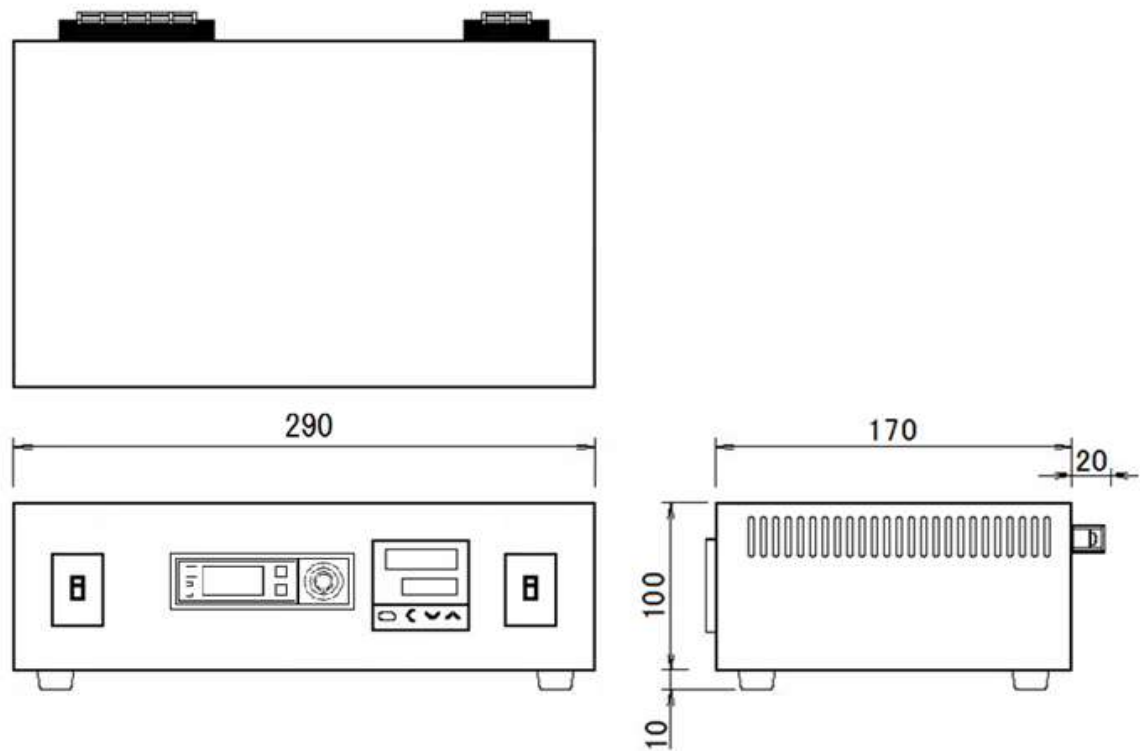
【Notes】

- ①The pressure resistance :0.3MPa.
- ②The supply air and gas, please remove drain.
- ③If user heat without supplying cold air and gas, the heater burns.

Power(w)	350w
Voltage(v)	220v
D/#	ABH-220v-350w/10PS/L103/+S
Model	Air Blow Heater

Date	2022/10/20	Draw	Y.Shimoda
------	------------	------	-----------

Heat-tech Co.,Ltd.



Control	Time division PID control
Voltage	AC100V~240V
Current	15A
Flow rate	0 ~ 200L/min
Dimention	Width 290 x height 110 x depth 205 mm
D/#	HCAFM-15A-200L
Model	Thermocontroller built-in Heater Controller

Date	2019/4/5	Draw	Y.Shimoda
------	----------	------	-----------

Heat-tech Co.,Ltd.

No-touch High Temperatures Hating

Heat-tech

Heat-tech Co., Ltd.

<https://heater.heat-tech.biz/>

International Medical Device Alliance IMDA

1-6-5 Minatojima Minamimachi Chuoku Kobe 650-0047 Japan

TEL 81-78945-7894 FAX 81-78945-7895

E-mail info@heat-tech.biz