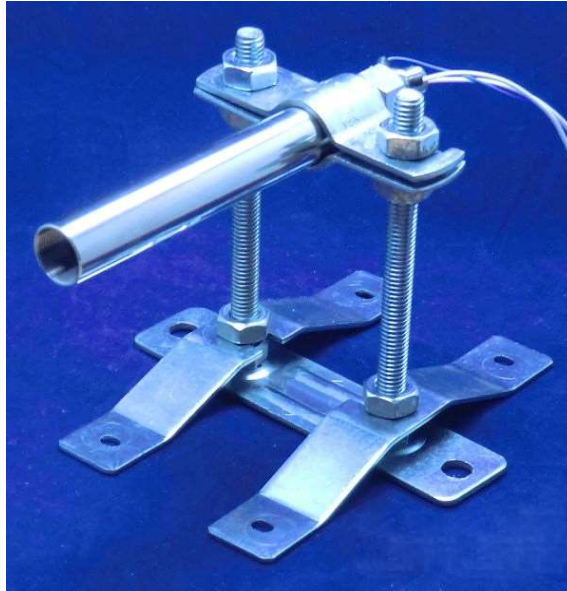


Air Blow Heater Laboratory Kit

LKABH-220v-1.6kw/15PS + HCAFM

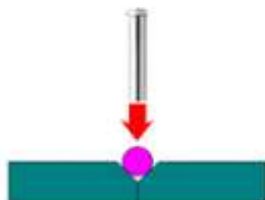
High-temperature heating gas

Easy Temperature Control

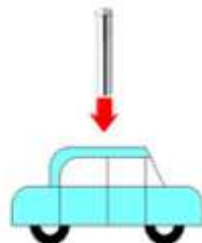


◆ Feature ◆

- 1). Since it is a kit, the Air Blow Heater can be used easily.
- 2). Output a moment 900 °C high temperature hot air.
- 3). Air is supplied, and it heats and only blows off!
- 4). Equipped with a thermocouple to the hot air blow section. Temperature can be managed easily.
- 5). Various attachments can be mounted to the screw portion of the M17F.
- 6). No flame safe and clean! No flame, it can easy clearly photo shoot!

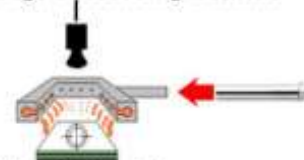


Resin Welding



Surface Analysis of Materials
with heat cycle

Image Processing Machine



Liquid Crystal

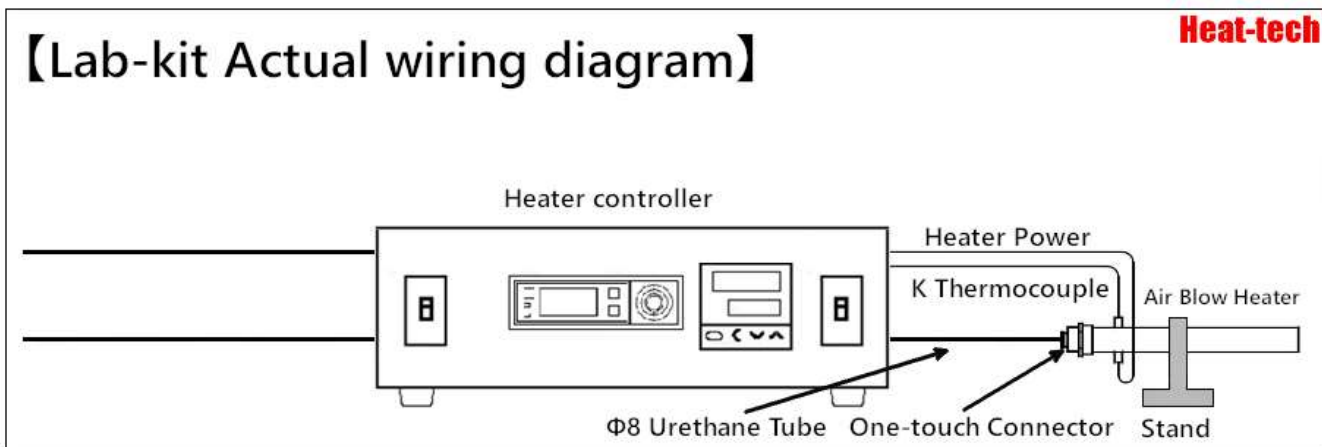
Thermal distortion check
of liquid crystal

Heat-tech



【 Laboratory Kit Packing List 】

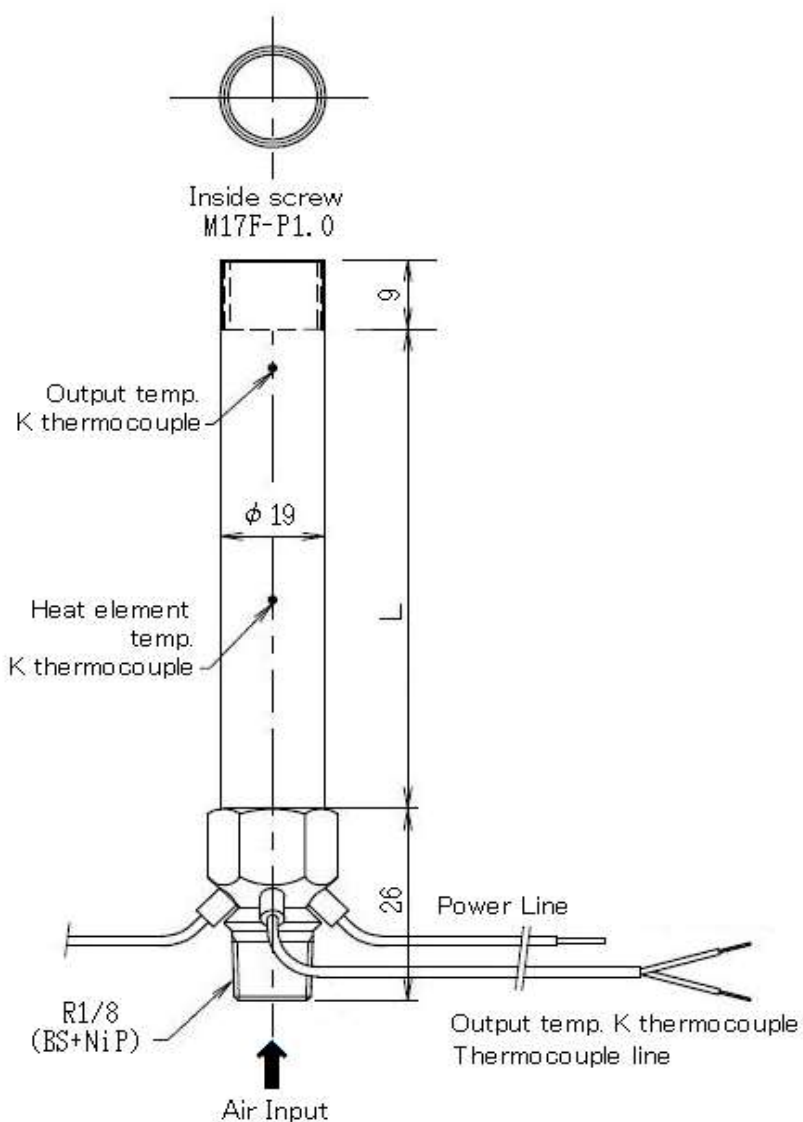
- ① Heater Controller HCAFM
- ② Stand for the Air Blow Heater
- ③ Φ8 Urethane tube 1m
- ④ Air Blow Heater ABH-220v-1.6kw/M17F/+S (with built-in thermocouple code 1m)
- ⑤ One-touch connector for the Air Blow Heater



Types of gas	ABH	Notes
Air, Oxygen *1	⊙	Contain neither oil mist nor water.
Nitrogen, Argon *2	○	All inert gases can be used.
Hydrogen	△	Ignites when becoming over 600°C mixed air.
Green Gas	△	Green Gas has reduction.
Steam*3	X	ABH is impossible, DGH can be use.
Town Gas, LPG	X	Carbon cling to heat element.

*1 Heating wires are used in Air Blow Heater has the most durable in the oxidizing atmosphere.

*2 ABH type is used for argon and nitrogen, compared to the air life tend to be shorter.



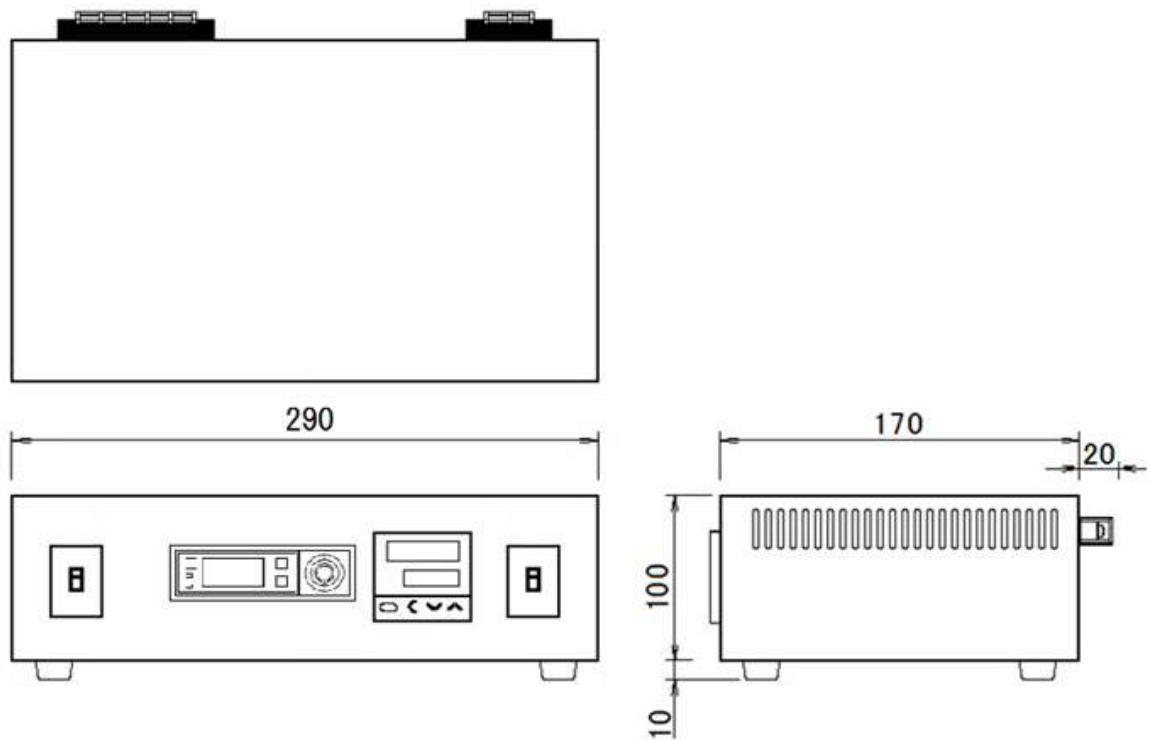
【Notes】

- ①The pressure resistance :0.3MPa.
- ②The supply air and gas, please remove drain.
- ③If user heat without supplying cold air and gas, the heater burns.

Base Length (L)	120
Power(w)	1.6kw
Voltage(v)	220v
D/#	ABH-220v-1.6kw/15PS/+S
Model	Air Blow Heater

Date	2013/10/30	Draw	Y.Shimoda
------	------------	------	-----------

HEAT-TECH CO.,LTD.



Control	Time division PID control
Voltage	AC100V~240V
Current	15A
Flow rate	0 ~ 200L/min
Dimention	Width 290 x height 110 x depth 205 mm
D/#	HCAFM-15A-200L
Model	Thermocontroller built-in Heater Controller

Date	2019/4/5	Draw	Y.Shimoda
------	----------	------	-----------

Heat-tech Co.,Ltd.

No-touch High Temperatures Hating

Heat-tech

Heat-tech Co., Ltd.

<https://heater.heat-tech.biz/>

International Medical Device Alliance IMDA

1-6-5 Minatojima Minamimachi Chuoku Kobe 650-0047 Japan

TEL 81-78945-7894 FAX 81-78945-7895

E-mail info@heat-tech.biz