

# **Halogen Point Heater Laboratory-Kit**

## **LKHPH-35CA/f15/12V-110w + HCV**

**Focal size  $\Phi 6$**

**Easily heating high temperatures!**



### **◆ Feature ◆**

- 1). Easily heating high temperatures by the kit !
- 2). Easily heating high temperatures at focal size  $\Phi 6$  !
- 3). Easily adjusting the radiation diameter (focal size) by manual lift!
- 4). Easily changing the heat power (wattage) by slide transformer !
- 5). Easily cooling by compressed air!

# **Heat-tech**



**【 Power: 5v/about 25w 】**

The output was adjusted to 5v by the slide transformer.  
It can visually check the rated point in diameter  $\Phi 6$  of 25w.



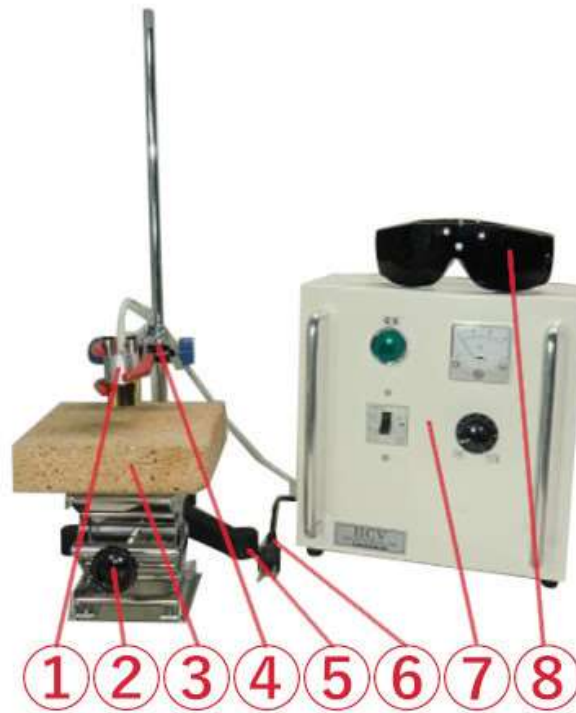
**【 Power: 12v/110w 】**

It shines so very bright emission of heat generation 110W maximum output.  
The diameter of a rated point cannot be visually checked.



**【 Power: 12v/110w Used the protective glass. 】**

Then attached protective glasses are used,  
positioning of an irradiation point can be performed easily visually.



Example of lab kit assembly.

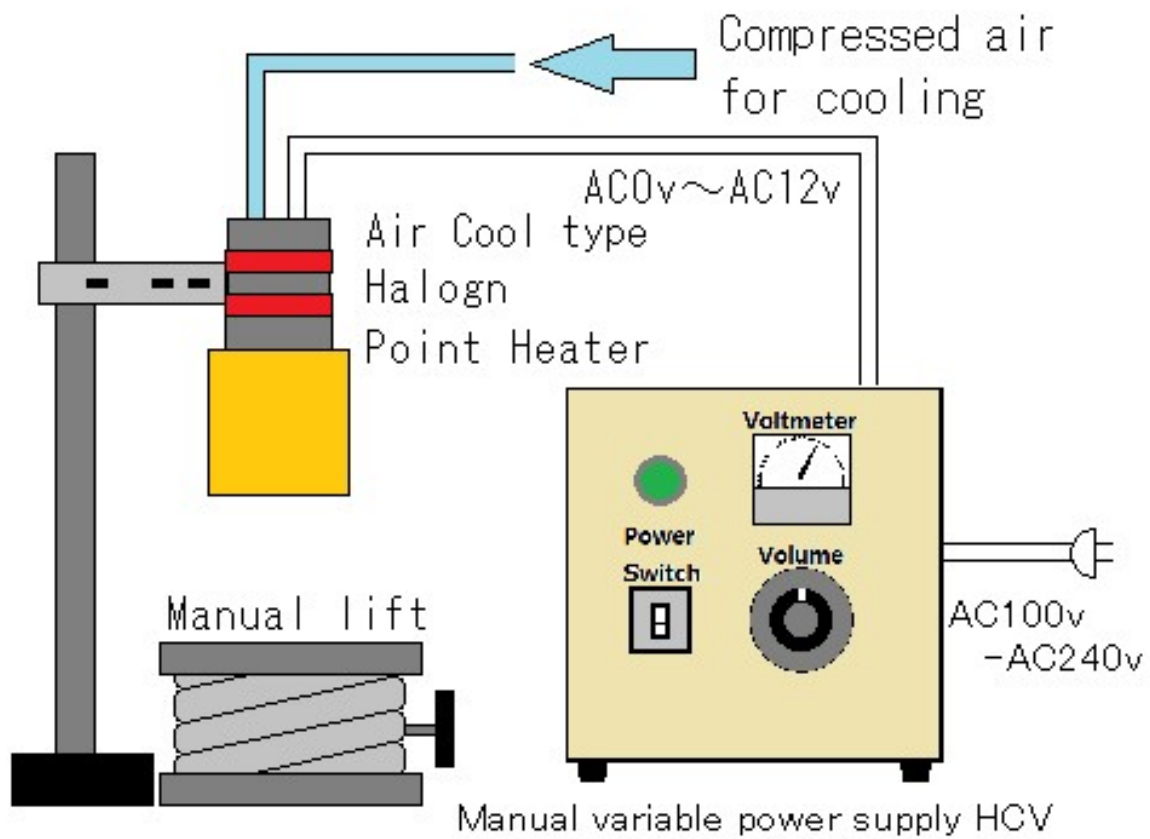
( ※The lab kit is delivered as individual components. )

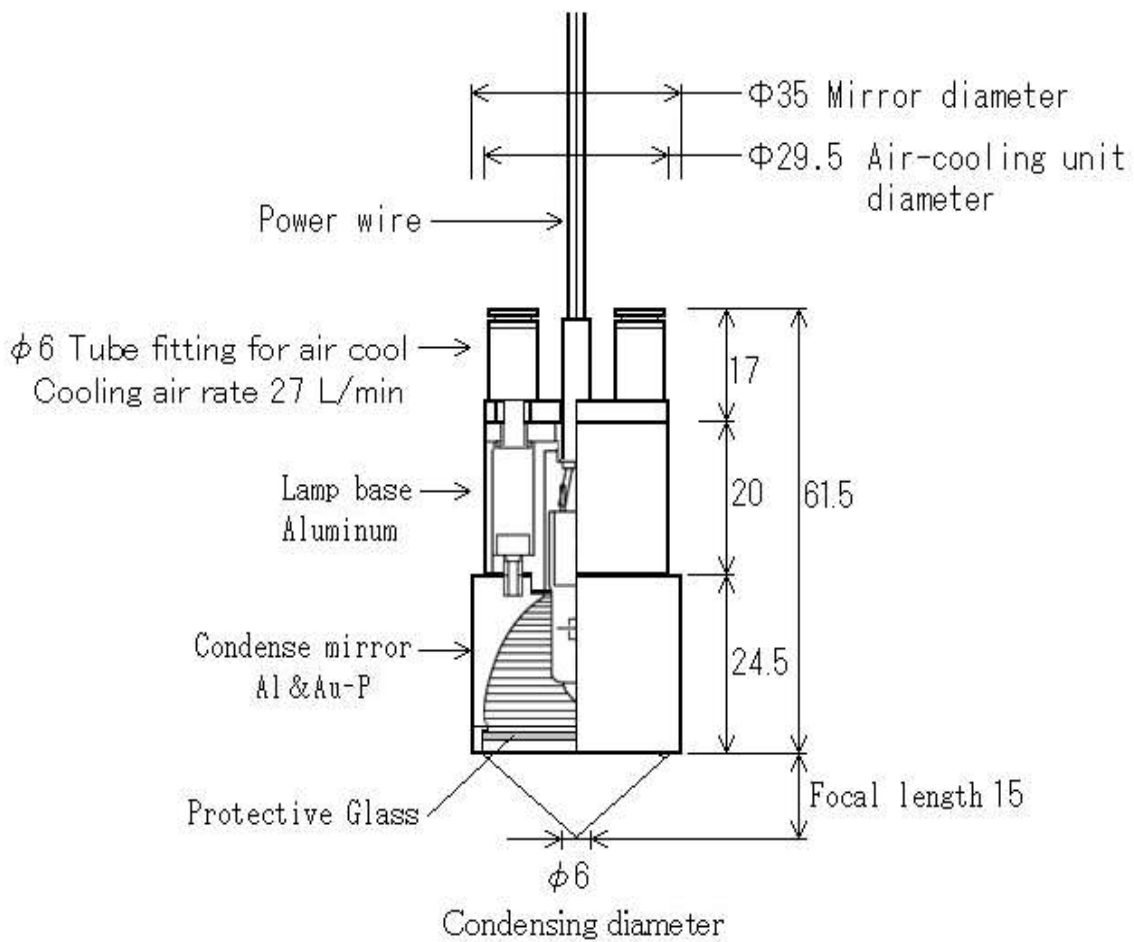
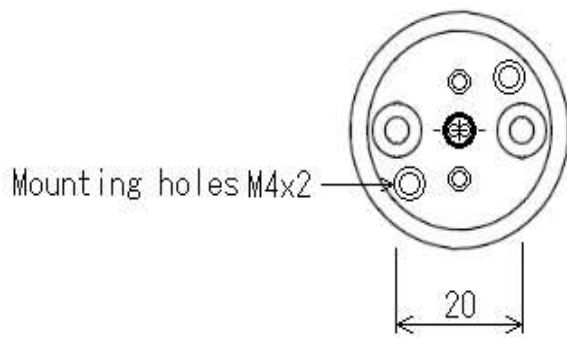
**【Lab kit packing product】**

- ① Air cool type small Halogen Point Heater HPH-35CA/f15/12v-110w/GW  
Heating the subject with 110w.
- ② Manual lift.  
Up and down 80 mm by 16 rotating knobs, the accuracy is 0.5 mm.  
Manual lift. Platform surface is 100mm x 100mm,
- ③ Square Australia Brick. It is useful when place the test piece.
- ④ Heater mounting bracket
- ⑤ Test stand
- ⑥ Power cable for heater controller
- ⑦ Manual variable power supply HCV-AC100-240V/DC12V-300W  
Input voltage in the range of AC100V-AC240V.  
The output adjustable range DC0v ~ 12v.  
Easily changing the heat power (wattage) by slide transformer.
- ⑧ Safety glasses against high intensity light  
It can visually check the high-intensity irradiation point at maximum output.

※ In addition to the above, compressed air for cooling is required for use.

# 【 Lab-kit Actual wiring diagram 】

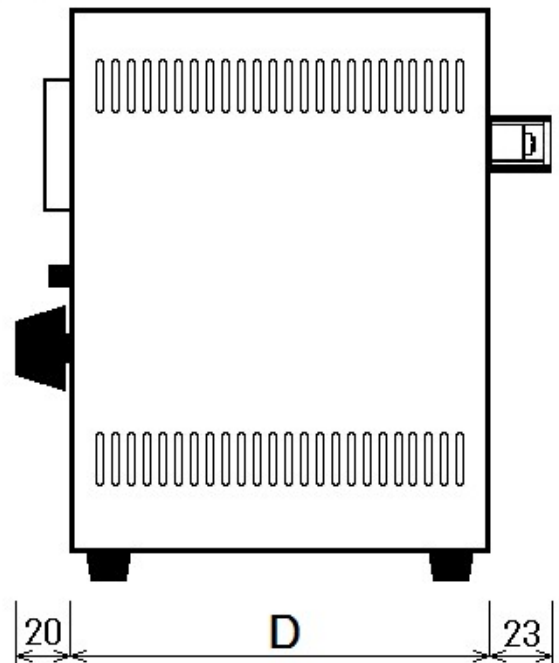
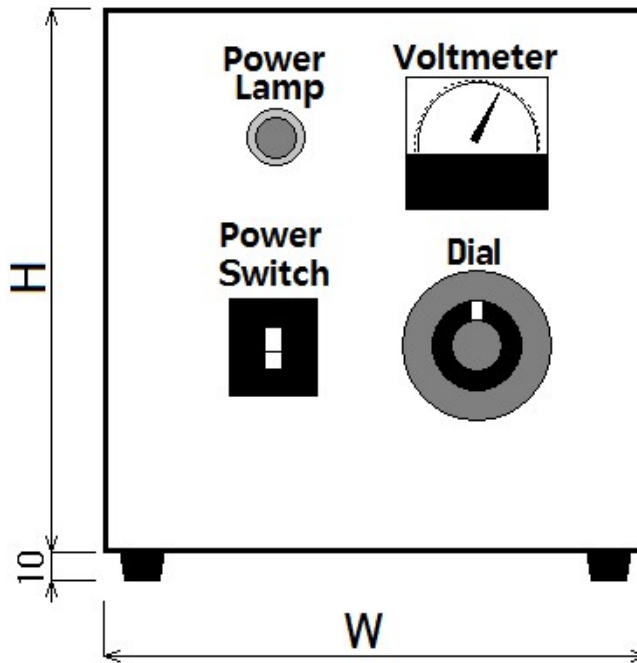
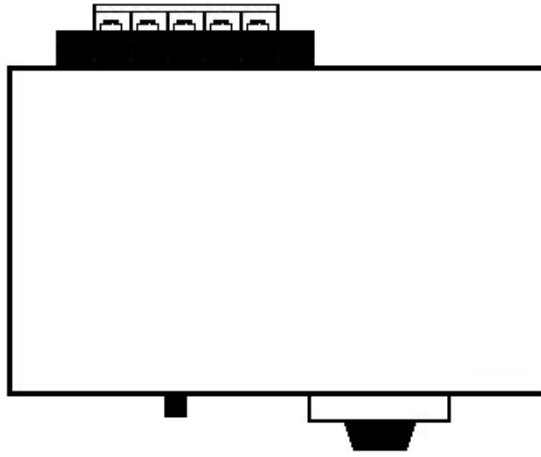




Mirror	$\Phi 35\text{mm}$
Focus	15mm
Focus Point	$\Phi 6\text{mm}$
Volt-Power	ACDC 12v-110w
D/#	HPH-35CA/f15/12v-110w
Model	Compressed air cooling type Halogen Point Heater

Date	2018/5/1	Design	Y.Shimoda
------	----------	--------	-----------

**Heat-tech**



Input (V)	AC100V~240V
Output (V)	DC12V
Output (W)	300W
Height (H)	250
Width (W)	250
Depth (D)	120
D/#	HCV-100~240V/12V
Model	Manual Power Controller for Halogen Heater

Date  
2017.4.4

**Heat-tech**

No-touch High Temperatures Hating

# Heat-tech

**Heat-tech Co., Ltd.**

**<https://heater.heat-tech.biz/>**

**International Medical Device Alliance IMDA**

**1-6-5 Minatojima Minamimachi Chuoku Kobe 650-0047 Japan**

**TEL 81-78945-7894 FAX 81-78945-7895**

**E-mail [info@heat-tech.biz](mailto:info@heat-tech.biz)**