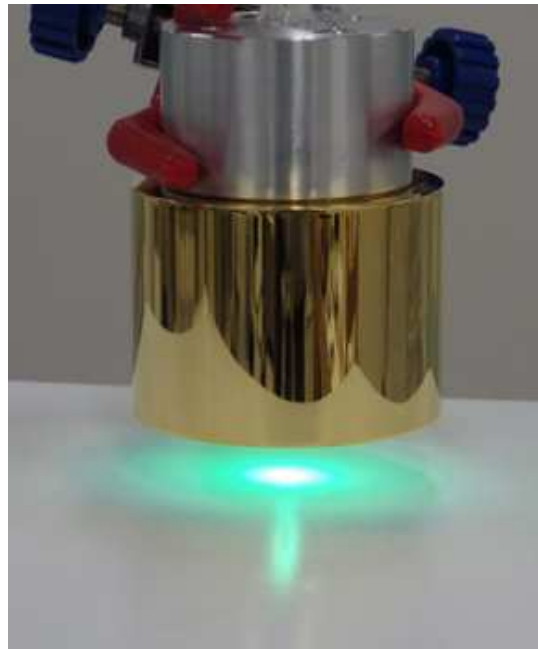


Compact UV point type irradiator

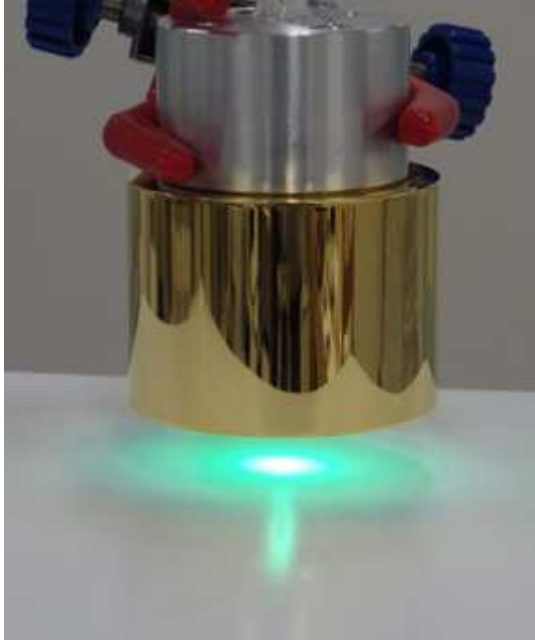
UVP-60 series



Heat-tech

Contents

1. Features of UVP-60
2. UVP-60 focal length and focal diameter
3. Light distribution characteristics of UVP-60
4. Spectral distribution of UVP-60
5. Composition of UVP-50
6. Outline drawing of UVP-60
7. Inverter control manual controller UVPC-1500V series

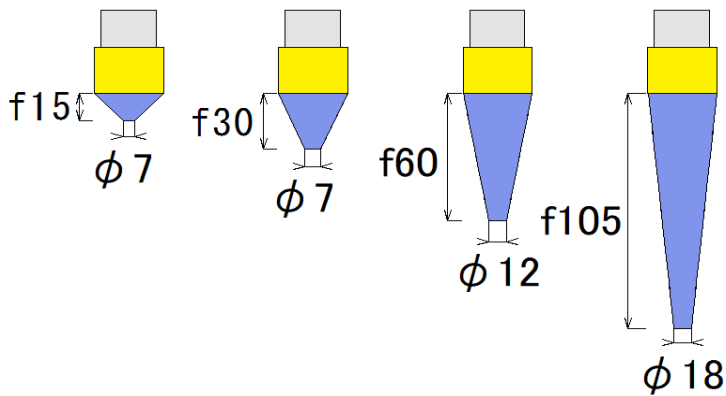


1. Features of UVP-60

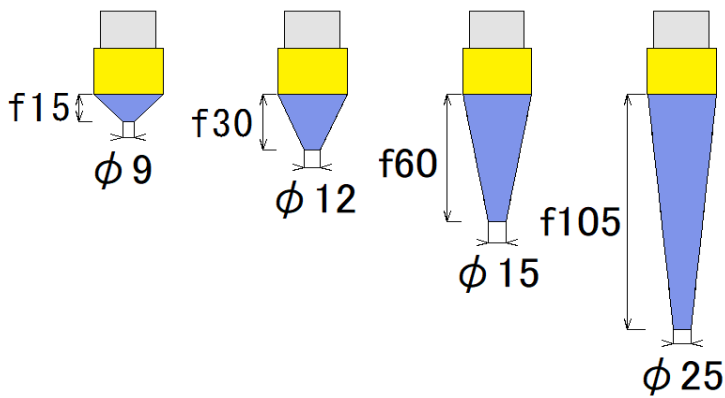
- 1) UV-C 253.7nm irradiation is possible.
- 2) UVP-60 is compact and can irradiate a point of $\phi 12$ with UV rays.
UVP-60 is an ultraviolet point type irradiator that points the light of an ultraviolet lamp with a condensing
- 3) Perfect clean irradiation is realized, and irradiation in a clean room or vacuum is also possible.
- 4) A light-shielding hood ensures the safety of workers.

2. UVP-60 focal length and focal diameter

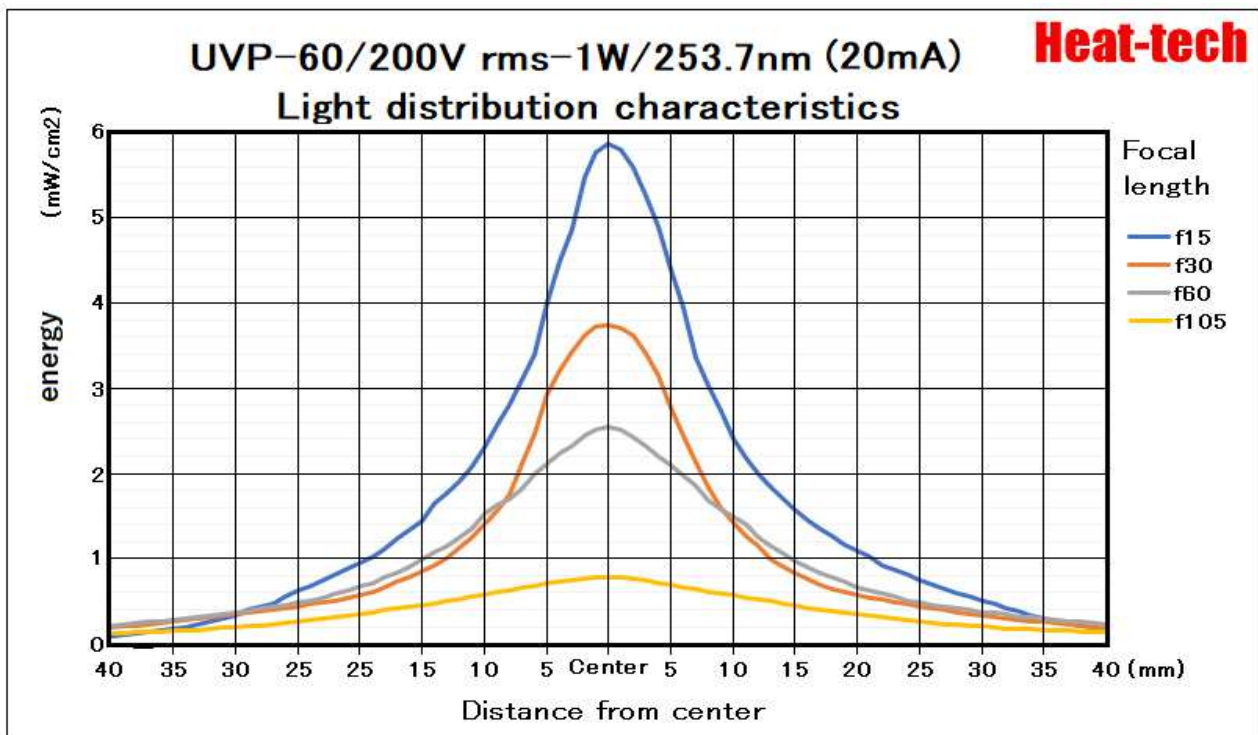
UVP-60 (20mA)



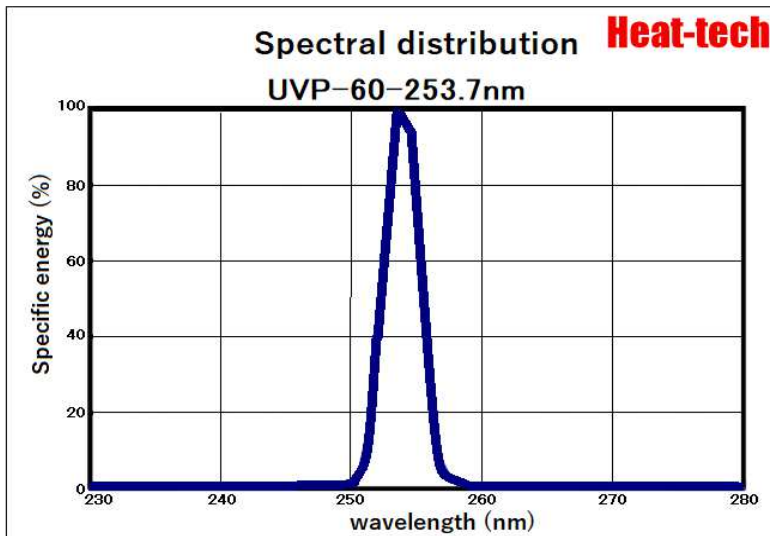
UVP-60 (10mA)



3. Light distribution characteristics of UVP-60



4. Spectral distribution of UVP-60



5. Composition of UVP-60

UVP-60 is used by combining a condenser mirror and a lamp, and specifying the length of the power line.

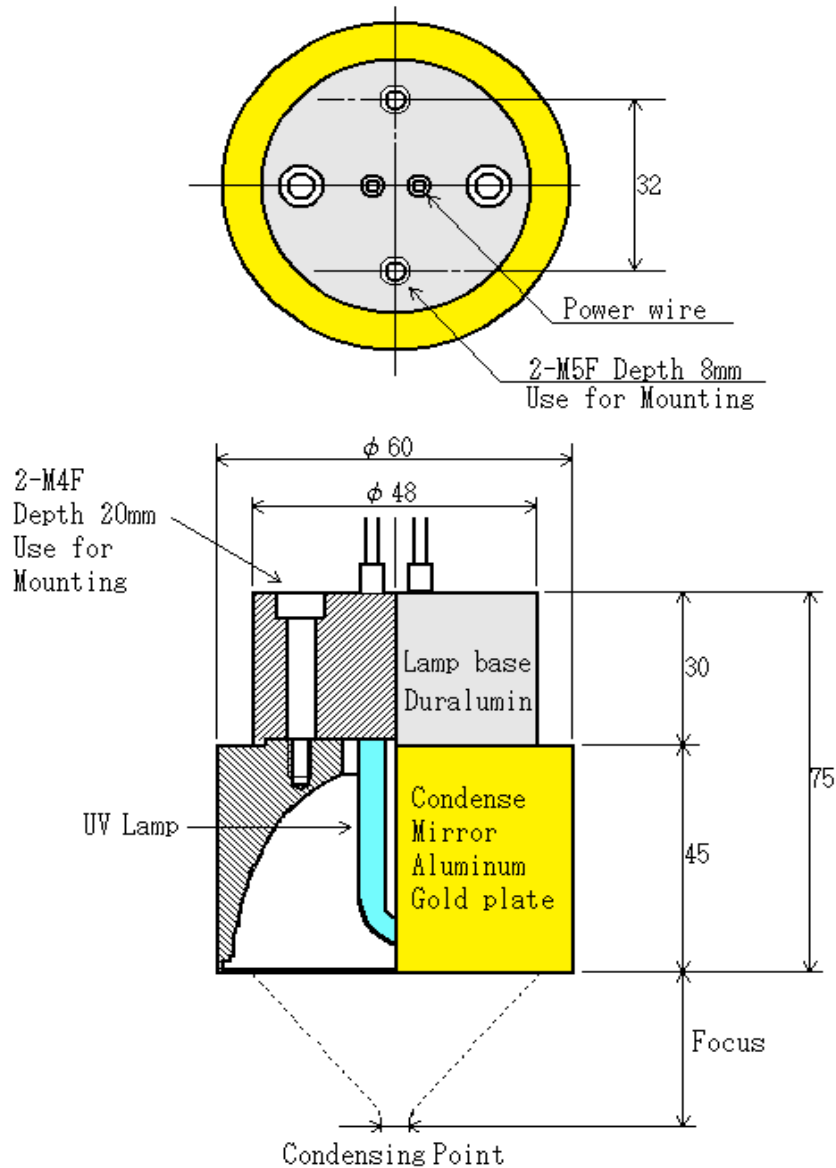
Condenser mirror	Focus	Point (20mA)	Point (10mA)
UVP-60/f15	15mm	≒ φ 7mm	≒ φ 9mm
UVP-60/f30	30mm	≒ φ 7mm	≒ φ 12mm
UVP-60/f60	60mm	≒ φ 12mm	≒ φ 15mm
UVP-60/f105	105mm	≒ φ 18mm	≒ φ 25mm

Lamp D/#	Volt-Current	Wavelength	Lifetime
UVP-60/200V rms-1W/253.7nm	200V rms-5A	253.7nm	30000h

Options	Items
P□m	Power line length
Hood-60f□	Antiglare hood

Model specification example UVP-60/200V rms-1W/253.7nm/P3m

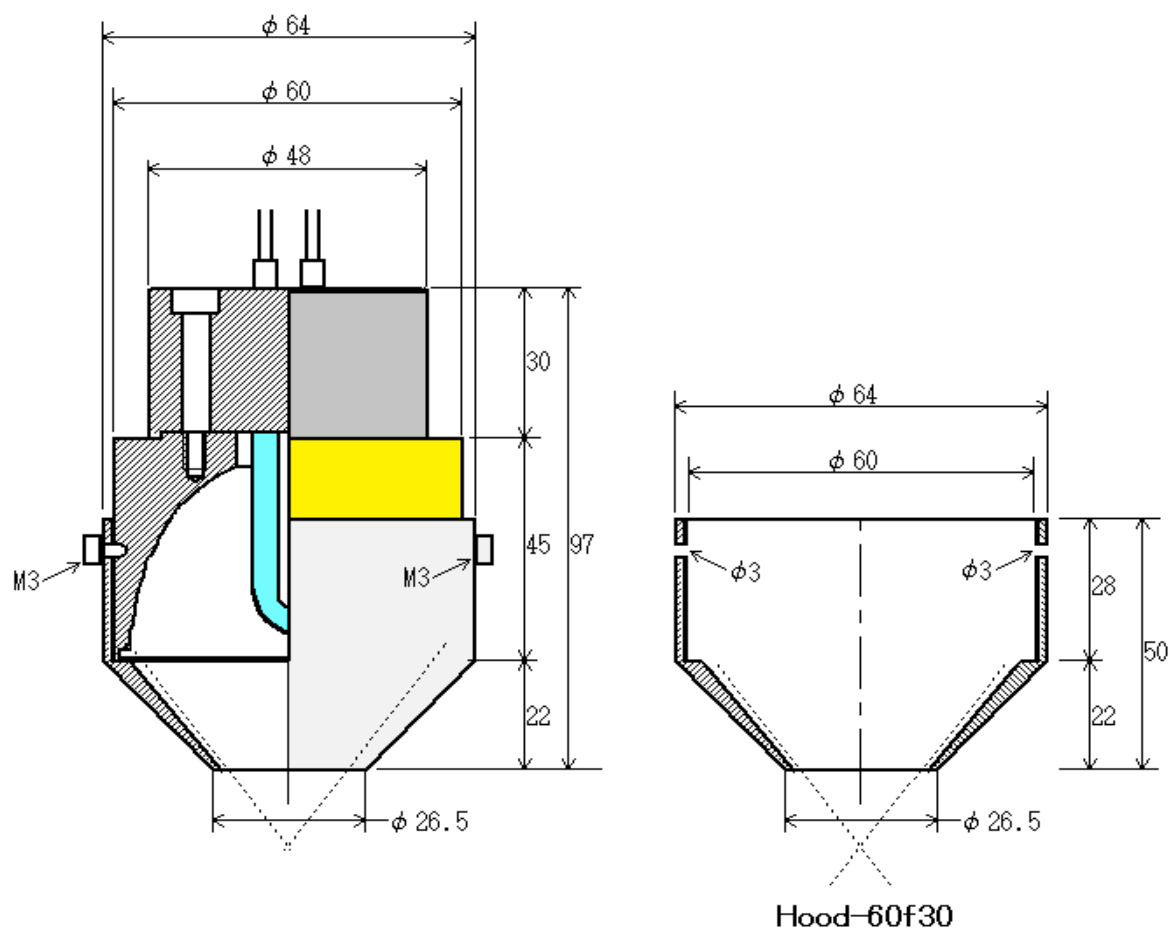
6. Outline drawing of UVP-60



Focus	30mm
Point size	$\approx \Phi 12$
Frequency	253.7nm
Rated voltage	AC200v rms
Rated power	1W
D/#	UVP-60/f30/200v-1W/253.7nm
Model	Ultraviolet point type Irradiation device

Date 2022/10/18

Heat-tech



【 How to order 】

f□ Specify focal length

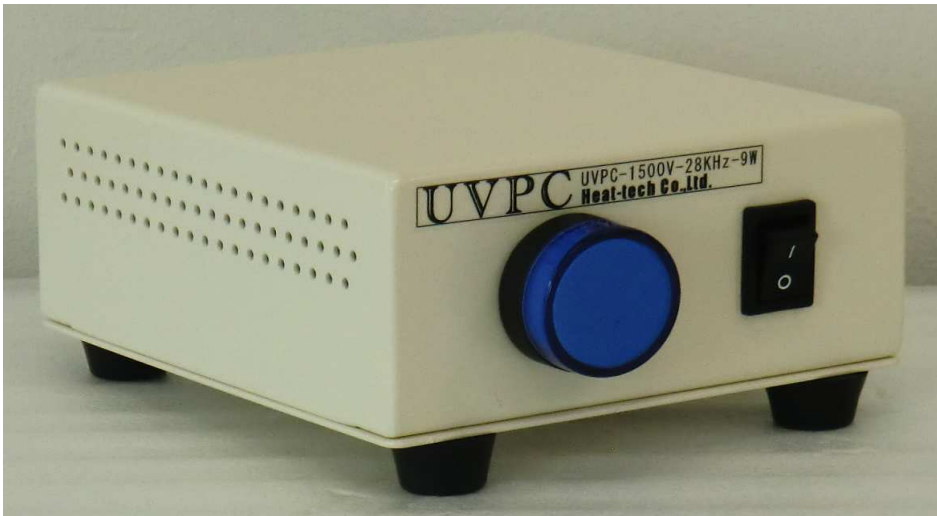
Since it is necessary to cut screw holes for fixing in the condenser mirror, it is ordered as a set with the condenser mirror.

Material	SUS303-304
D/#	Hood-60f□
Model	Antiglare hood for UVP-60

Date 2022/10/21

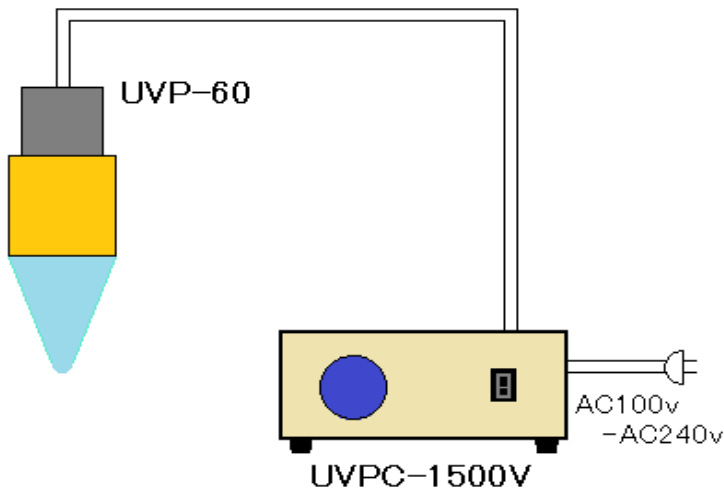
Heat-tech

8. Inverter control manual controller UVPC-1500V series



Color universal design UVPC-1500V series

A blue indicator light has been adopted to make it easy for anyone to see. It has a built-in inverter and can light UVP-60 and cold cathode type ultraviolet lamps.

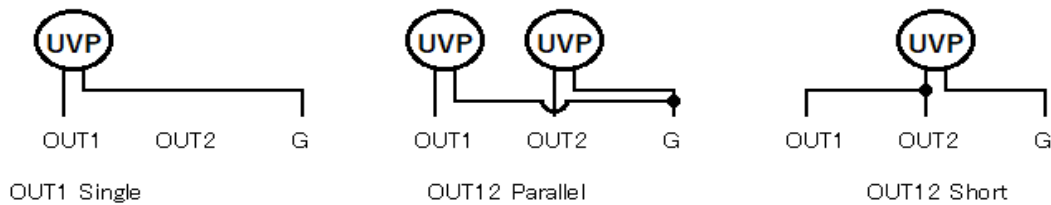
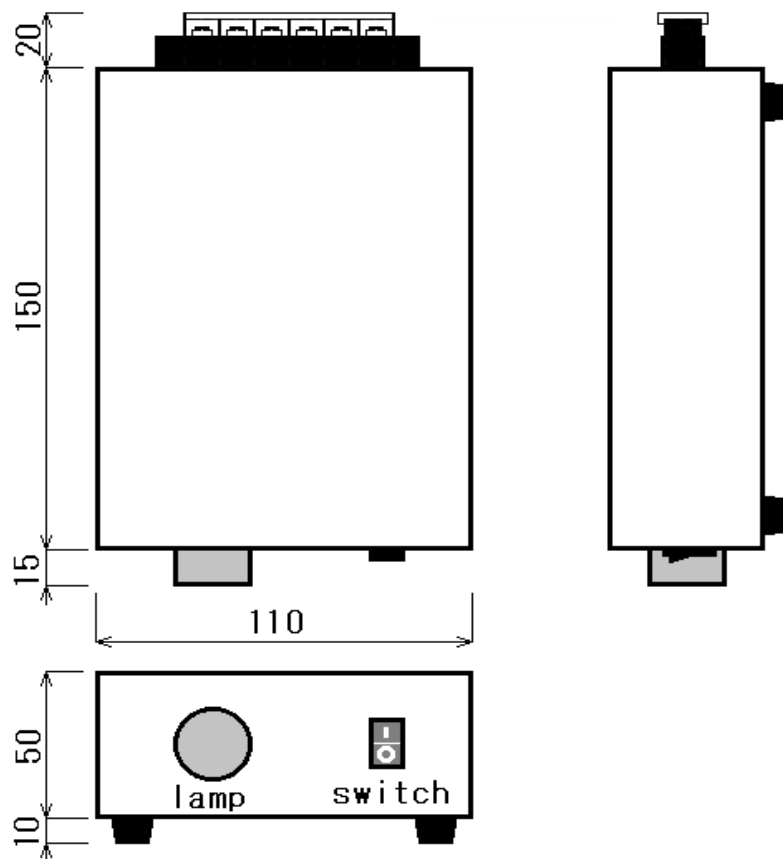


【Specifications】

D/#	Input Vpltage	Output Voltage	Current
UVPC-1500V	AC100~240V	Max. 1500V rms	Max. 20mA

Paid additional specifications

D/#	Item and Description
FPR	Front Protection Rail
RPR	Rear Protection Rail
LH	Lifting Handle
Power Cable	Manufacture the specification of the power cable.



Input (V)	AC100V-240V		
Open circuit voltage	1500V rms		
Connection type	OUT1 Single	OUT12 Parallel	OUT12 Short
Output (A)	12mA rms	10mA rms	20mA rms
Output (W)	5.4W	4.5W	9W
Frequency	32KHz	28KHz	28KHz
D/#	UVPC-1500V		
Model	Power supply controller for Ultraviolet rays point type irradiator UVP-60		

Date
2022.10.11

Heat-tech

No-touch High Temperatures Hating

Heat-tech

Heat-tech Co., Ltd.

<https://heater.heat-tech.biz>

International Medical Device Alliance IMDA

1-6-5 Minatojima Minamimachi Chuoku Kobe 650-0047 Japan

TEL 81-78945-7894 FAX 81-78945-7895

E-mail info@heat-tech.biz